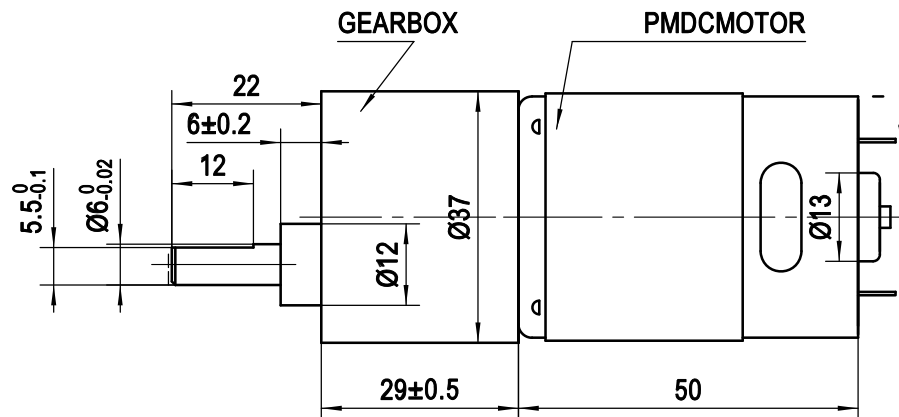
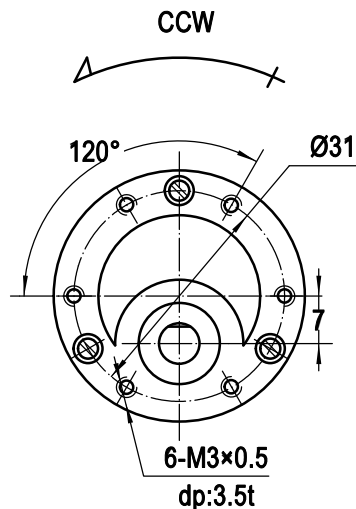


客户代码 Customer Code	样品单号 Sample Code	电机型号 Model	DK-37R545123000-41K	内部料号 Internal Code Of Part
-----------------------	---------------------	---------------	---------------------	-------------------------------

GEARED MOTOR	减速比 Gear Ratio	44:1
	额定电压 V Rated Voltage	12
	空载转速 RPM Free-load Speed	73±10%
	空载电流 mA Free-load Current	250Max
	额定转速 RPM Rated Speed	60
	额定电流 mA Rated Current	560
	额定扭矩 Kgf.cm Rated Torque	5 kgf.cm
	堵转电流 mA Stall Current	2000
	堵转扭矩 Kgf.cm Stall Torque	15Min
	是否可堵转 Stall allowed or not	NO
	CW/CCW Direction	CW
	噪音 dB Noise (L=300mm)	55
	驱动电机型号 Driving Motor Mold	545#
电机空载转速 RPM Free-load Speed	3000±10%	
电机空载电流 mA Free-load Current	120Max	



- DK-37R545123000-41K**
1. Output speed : 73 rpm no loading
 2. Output speed: 60rpm at loading 5N.m (5kg.cm)
 3. Rated torque: 0.5N.m (5kg.cm)
 4. DC voltage: 12 V
 5. Stalled torque: 1.5N.m(15kg.cm)

备注:
Remarking

UNSPECIFIED TOLERANCE: 0~6: ±0.1 >6~30: ±0.2 >30~120: ±0.3 >120: ±0.5 ANGLES: ±30'				SCALE	1:1		大科电机 -Dakemotor- Dakemotor
				WEIGHT			
UNIT	mm	SIZE	A4	MATERIAL			TITLE
DRAWN Kenny 20150812				FINISH			DK-37R545123000-41K
CHECKED							SHEET 1 OF 1 REV A
							DWG.NO.